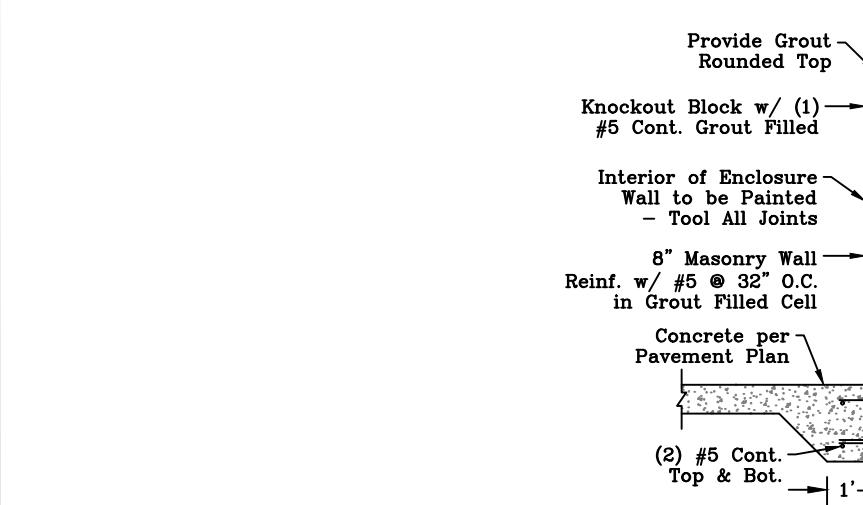


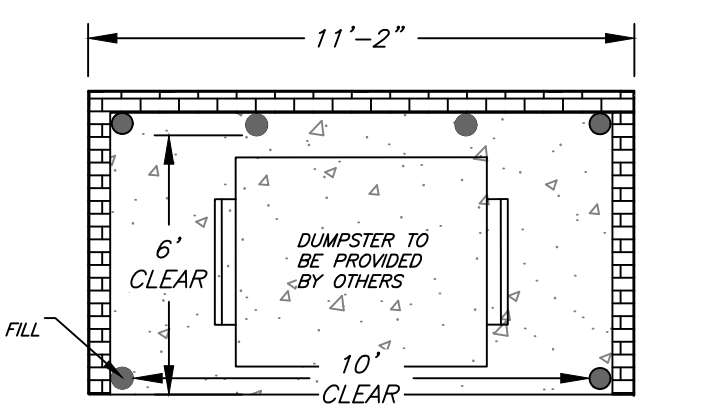
- Site Specific Notes:**
- The owner/Developer of the property is La Vita Centro II. The subject property is City of Bryan Townsite Block 144, Lot 4RA-4RF.
 - The proposed building is a Type VB, two stories, without sprinklers, 2,993 sf, FF = 352.00', Height = 25' 5".
 - This property is zoned Downtown North (DT-N).
 - Fire flow demand is 1,500 gpm. The existing hydrant at the corner of W 22nd St & N Parker Ave will provide the hydrant flow for this project.
 - This lot is not within the 100-YR floodplain according to the DFIRM for Brazos County, Texas and Incorporated areas, Map No. 48041C0215E, effective April 2, 2014.
 - The developed area for this project is 0.181 acres (7,885 sf).
 - Solid waste pickup will be one side load dumpster.

Construction Notes:

- 6x10 dumpster pad w/ 8" thick reinforced concrete w/ #5 rebar @ 12" O.C.E.W. Prior to placement of concrete contractor shall contact Jared Birkehead with solid waste @ 979-209-5900 for inspection.
- All concrete to be constructed with 3,500 psi (Min) - 28 day strength portland cement concrete.
- All items to be removed during clearing and grubbing. Remove not only the above ground elements, but all underground elements as well. All excavated material shall become the property of the contractor unless otherwise directed by the Owner. All debris must be disposed of off site.
- Prior to grading operations, contractor is to strip the first 6" of soil. Contractor shall proof roll the entire site and remove any unstable materials according to TxDOT Specifications. Select fill is to be used in replacing objectionable material.
- Assure positive drainage across project site to the storm water structures.
- Normal Domestic Wastewater is anticipated to be discharged from this development.
- Potable Water Protection - All devices, appurtenances, appliances, and apparatus intended to serve some special function and that connects to the water supply system, shall be provided with protection against backflow and contamination of the water supply system. As noted in Texas Administrative code 30 TAC 290.47 - Appendix F.
- Irrigation System - Potable water supply must be protected by either an atmospheric or pressure vacuum breaker, or testable double check valve assembly, and installed per City Ordinance.
- Each utility contractor is responsible for positioning and trenching of service lines. Mark all lines with utility tape. Utility contractors are responsible for coordinating with paving contractor in placement and installation of any necessary utility conduit prior to subgrade preparation. Lines requiring slope control are to be installed first. All other lines not requiring slope control or elevation shall be installed deepest first. Each contractor is responsible for knowing final determination of installation order.
- Materials and methods for pavement markings shall conform to TxDOT Standard Specifications for Construction of Highways, Streets, and Bridges (current edition), with the following exceptions: 1) Type II marking materials need not be purchased from the Department, and 2) Glass beads may be omitted, but marking material shall be Type II paint-type material.
- The Contractor shall be responsible for the containment and proper disposal of all liquid and solid waste associated with this project. The Contractor shall use all means necessary to prevent the occurrence of windblown litter from the project site.
- Demolition/Construction Waste - Site is required to provide containment for waste prior to and during demolition/construction. Solid waste roll off boxes and/or metal dumpsters shall be supplied by City to permitted contractor(s) only.
- Contractor is responsible for field verifying existing and proposed grades prior to any construction and reporting any inconsistencies to the Owner.
- Where electric facilities are installed, BTU has the right to install, operate, relocate, construct, reconstruct, add to, maintain, inspect, patrol, enlarge, repair, remove, and replace said facilities upon, over, and across the property included in the PUE, and the right of ingress and egress on the property adjacent to the PUE to access electric facilities.



Dumpster Enclosure - Section
N.T.S.



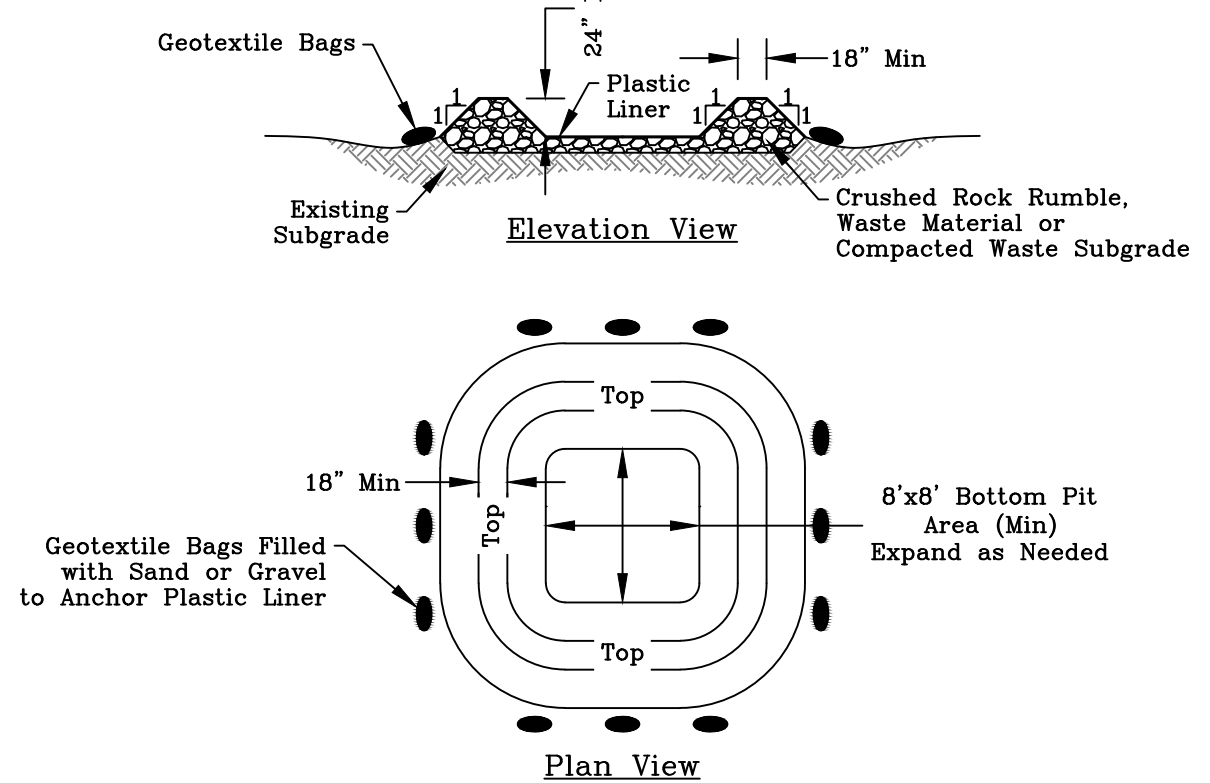
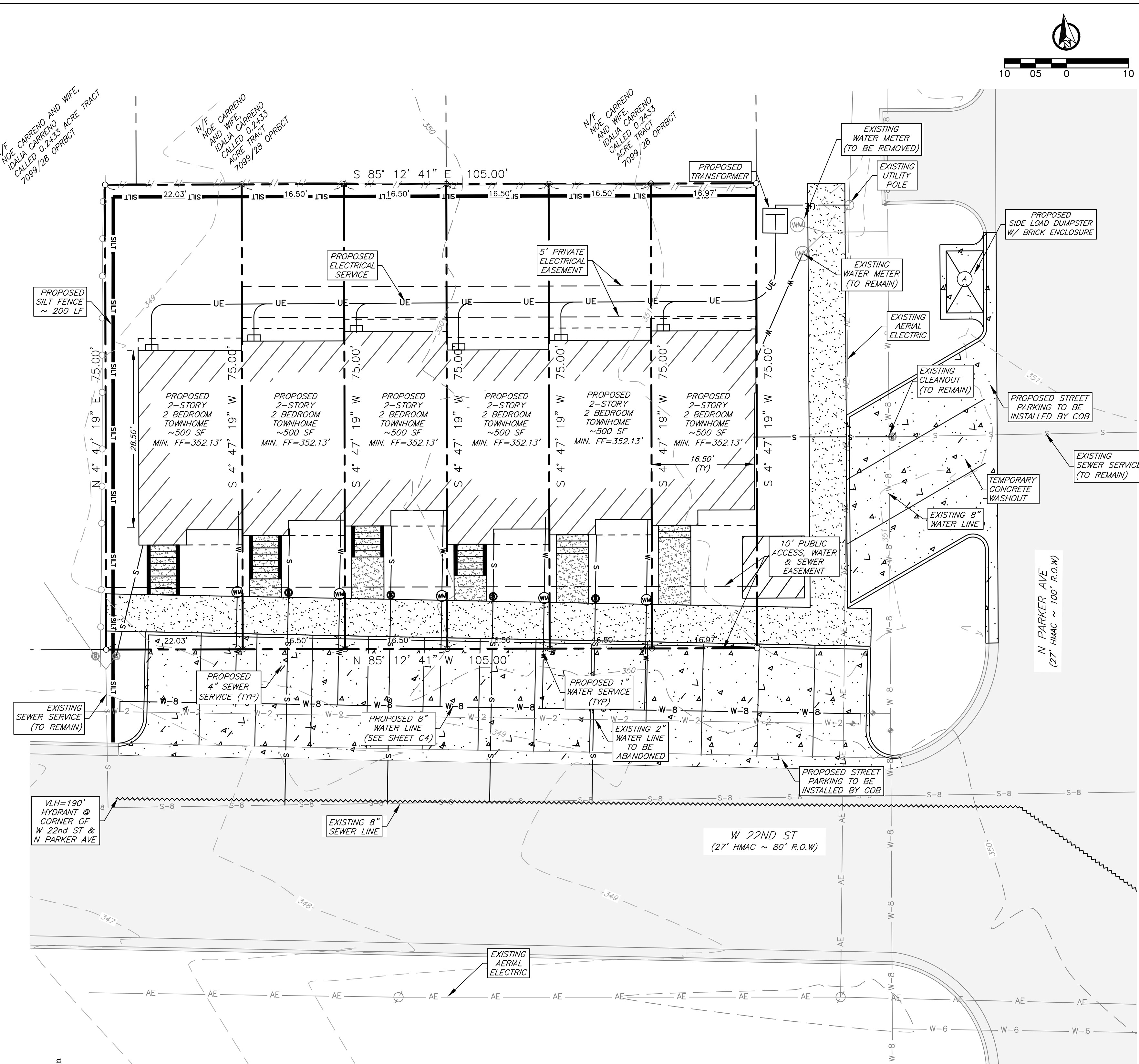
Typical Side Load Dumpster with Brick Enclosure - Plan
N.T.S.

NOTICE!

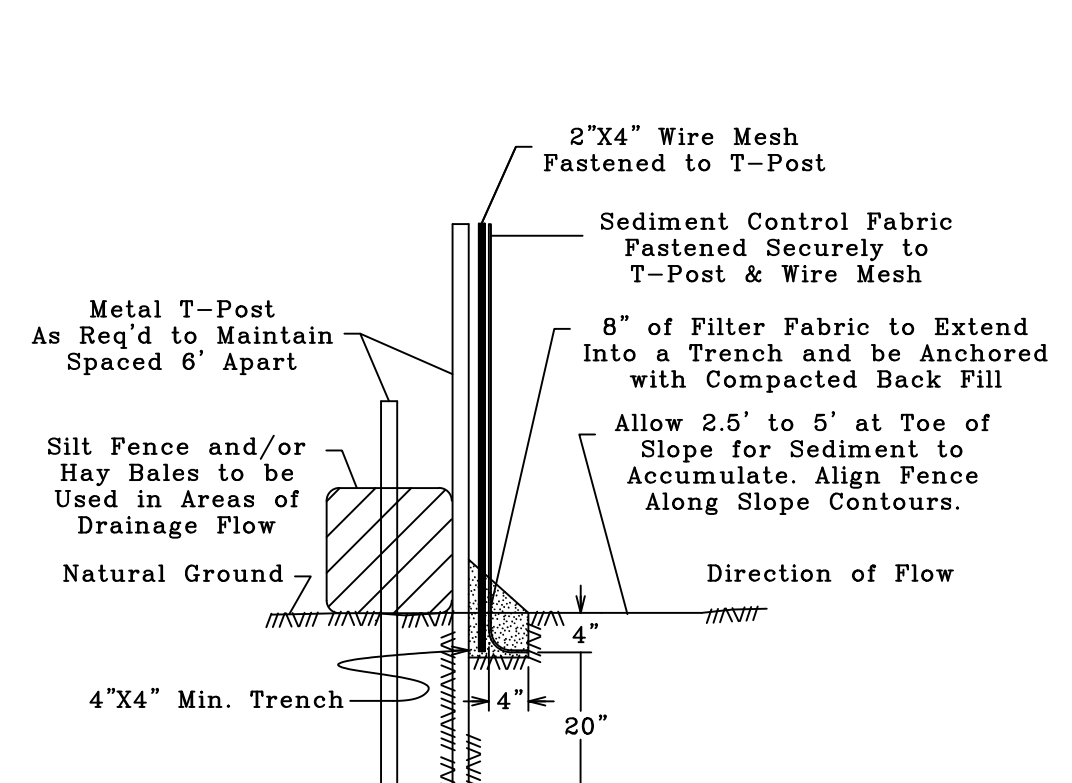
The contractor is specifically cautioned that the location and/or elevation of the existing utilities as shown on these plans is based on records of the various utility companies and, where possible, measurements taken in the field. The information is not to be relied upon as being exact or complete. It is the contractor's responsibility to avoid all existing utilities and repair any damaged lines, at his own expense, whether the utility is shown on these plans or not. The contractor shall notify the appropriate utility company 48 hours prior to any excavation.

Contact Information:

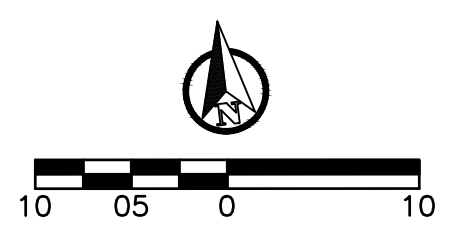
Texas One Call: 800-245-4545
 Lone Star One Call: 800-689-8344
 Texas Excavation Safety: 800-344-8377
 City of Bryan: 979-209-5900
 System (Digless): 979-821-5885
 Bryan Texas Utilities: 979-774-2508
 Atmos Energy: 979-821-4300
 Frontier: 979-846-2229
 Suddenlink: 979-846-2229



Concrete Washout
N.T.S.



Silt Fence
N.T.S.



Site Plan

- General Notes:**
- The topography shown is from field survey data.
 - Refer to Final Plat for all lot dimensions and bearings.
 - A property owner's association (POA) shall be established with direct responsibility to, and controlled by the property owner's involved to provide for operation, repair and maintenance of all common areas, private drainage easements, and private stormwater detention facilities which are part of this subdivision. The city of Bryan shall not be responsible for any operation, repair and maintenance of these areas.
 - All utilities shown are taken from the best available information based on construction utility documents obtained by J4 Engineering from City and independent agencies and/or above ground field evidence. Shown positions may not represent as-built conditions.
 - The contractor shall be responsible for verifying the exact location of all existing underground utilities, whether shown on these plans or not. Notification of the utility companies 48 hours in advance of construction is required.
 - All construction shall be in accordance with the current BCS Standard Specifications, Details, and Design Guidelines for Water, Sewer, Streets, and Drainage, unless otherwise noted.
 - It is the intent of these plans to comply with all City of Bryan guidelines, details, and specifications.
 - See Sheet C1 - General Notes.

**Preliminary Plans Only
Not for Construction**

This document is released for the purpose of interim review under the authority of Glenn Jones, P.E. 97600 on 21-Apr-22. It is not to be used for construction, bidding, or permitting purposes.

Released for Review

No.	Revision/Issue	Date

Firm Name and Address:

PO Box 5192 - Bryan, Texas - 77805
 979-739-0567 www.J4Engineering.com
 Firm# 9951

Project Name and Address:

La Vita Centro II

302 W. 22nd St.
 City of Bryan Townsite
 Block 144, Lots 4RA-4RF
 Bryan, Brazos County, Texas

Date: April 2022	Sheet: C2
Scale: As Noted	

J4 Engineering 04/21/2022 La Vita Centro II - Site Plan.dwg J4E Project # 22-003